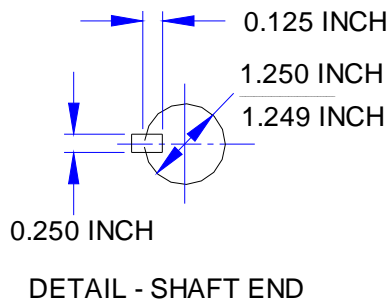


F21220AM
MECHANICAL SEAL

PUMP WEIGHT 179 LB/ 81 Kg



Dimensions in (inch)

| | | |
|--|------------------------------------|------------------------|
| Project : | Capacity: | Frame/Model: |
| Customer: | Total Head: | Elec. Spec.: |
| Item No.: 1 | Pump Speed: 1750 (RPM) | Service Factor: |
| Quote No. : | Impeller Dia.: 12/10 (inch) | Rotation: |
| Pump Model: Peerless - F21220AM | Power: | Enclosure/Type: |

PEERLESS PUMP[®]
MASONOLIVERSUPPLY.COM